



Media Technology & Solutions Pvt. Ltd.

Inventory Catalogue

Email: info@sslmediatech.com | Tel: 022-23811823 | Mob: +91- 9820022984



Litelees Beam-Spot-Wash 470 Pro

Introducing the extraordinary power and versatility of the BSW 470 Pro. This hybrid luminaire seamlessly combines beam, spot, and wash capabilities into a single, high-performance unit. Equipped with the Osram Sirius HRI 461W S lamp, boasting a color temperature of 7800K, this fixture delivers unparalleled performance.

In beam mode, the BSW 470 Pro astounds with its sharp, well-defined output, leaving a lasting impression. With a motorized zoom starting from 2.5°, it excels as a beam light, providing a captivating and focused illumination.

As a spot luminaire, the BSW 470 Pro astounds with its large light beam projection, creating a striking visual impact. With an extensive selection of 15 colors plus white and CMY color mixing, along with a fixed gobo wheel containing 18 gobos plus white, and a rotating gobo wheel with 6 gobos plus white, the creative possibilities are limitless. Take full control over the light distribution using the motorized zoom, offering a range from 4-50° in spot mode, delivering precise and tailored lighting effects.

Additionally, the BSW 470 Pro excels as a wash luminaire, providing a seamless and even wash effect. The frost filter enhances the wash performance, ensuring captivating and dynamic color macro effects.

The SSL's BSW 470 Pro is designed to meet the demands of any lighting setup, be it for concerts, theaters, or other live events. Its versatility and adaptability make it an invaluable asset for lighting designers, empowering them with the tools to create captivating and immersive visual experiences.



Media Technology & Solutions

Email: info@sslmediatech.com

Tel: 022-23811823

Mob: +91- 9820022984

Technical Specifications

Parameter	Specification
Power supply	AC100 - 240V, 50/60 Hz
Power consumption	700W
Light source	Osram Sirius HRI 461W S
Average life	1500 hrs
Color temperature	7800K
Zoom angle	2.5°(Beam), 4-50°(Spot), 525600lux@10m@Min angle
Color wheels	15 colors + white
Color mixing	CMY
CTO	2CTO (3200K and 2500K) + 1CTB
Fixed gobo wheel	18 gobos + white
Rotating gobo wheel	6 gobos + white
Prism	Linear 6-facet + 8-facet
Frost filter	for soft-edge projection
Dimming	0-100% linear
Strobe	1-12Hz, High-speed/Random/Pulse flash
Pan/Tilt	Accurate magnetic coding positioning
Pan/Tilt range	540°/270°
Control mode	DMX512/Art-net/RDM
DMX channels	30/34
XLR in & out	3-pin & net
Net weight	30kg
Carton box size (1-in-1)	77×56×48cm
Gross weight	37kg



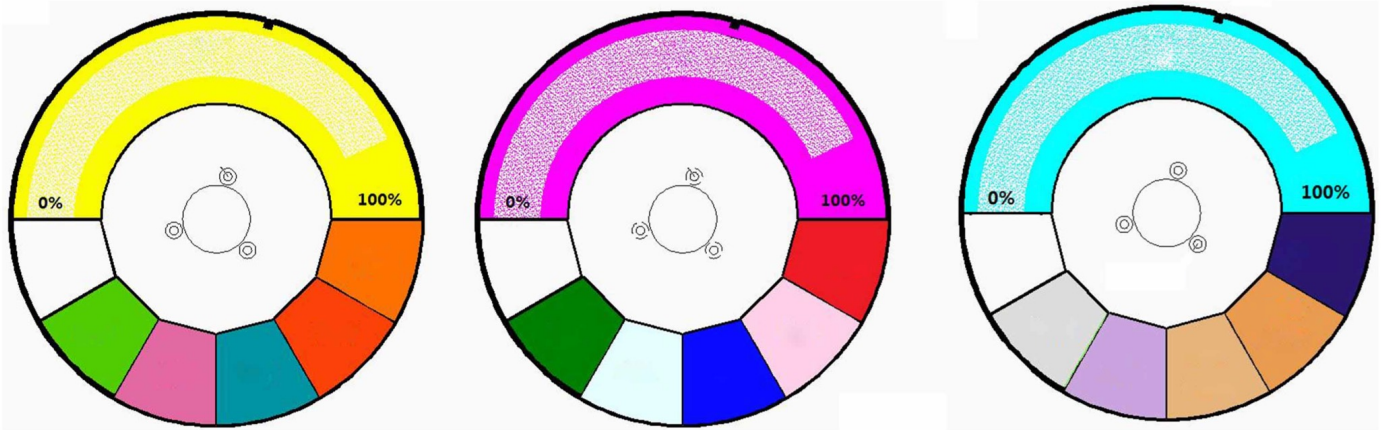
Media Technology & Solutions

Email: info@sslmediatech.com

Tel: 022-23811823

Mob: +91- 9820022984

Color Wheel

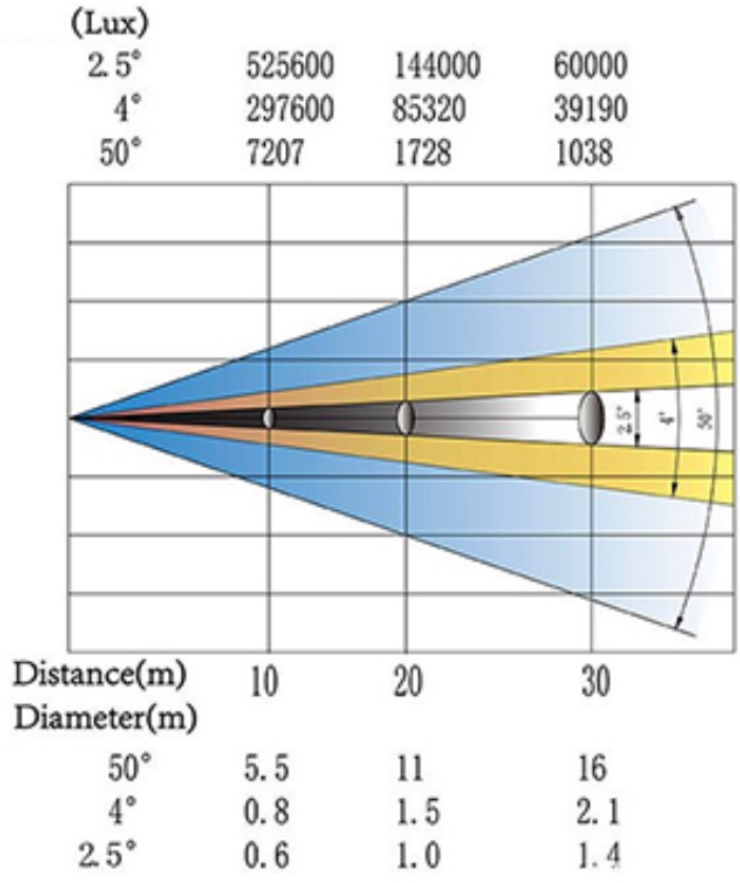


Animation Wheel



Media Technology & Solutions

Photometrics



Dimensions

