



Media Technology & Solutions Pvt. Ltd.

# Inventory Catalogue

Email: [info@sslmediatech.com](mailto:info@sslmediatech.com) | Tel: 022-23811823 | Mob: +91- 9820022984



## Litelees Beam-Spot-Wash 350

Experience the extraordinary power and versatility of the Litelees BSW 350. This hybrid luminaire seamlessly combines beam, spot, and wash capabilities into a single, high-performance unit. Equipped with the Philips™ MSD Silver 350W, 8,000K lamp, this fixture delivers unparalleled performance.

In beam mode, the BSW 350 astounds with its sharp, well-defined output, leaving a lasting impression. With a motorized zoom range from 0° to 7°, it excels as a beam light, providing a captivating and focused illumination.

As a spot luminaire, the BSW 350 astounds with its large light beam projection, creating a striking visual impact. With an extensive selection of 13 vibrant colors, 12 rotating gobos, and 17 static gobos, the creative possibilities are limitless. Take full control over the light distribution using the motorized zoom, offering a range from 5° to 40° in spot mode, delivering precise and tailored lighting effects.

Additionally, the BSW 350 excels as a wash luminaire, providing a seamless and even wash effect. The full frost filter enhances the wash performance, ensuring a captivating and dynamic color macro effects.

The SSL's BSW 350 is designed to meet the demands of any lighting setup, be it for concerts, theaters, or other live events. Its versatility and adaptability make it an invaluable asset for lighting designers, empowering them with the tools to create captivating and immersive visual experiences.



Media Technology & Solutions

Email: [info@sslmediatech.com](mailto:info@sslmediatech.com)

Tel: 022-23811823

Mob: +91- 9820022984

## Technical Specifications

Parameters	Details
Input	Ac 100~240V, 50/60Hz
Power Consumption	500W
Lamp Source	Philips MSD Silver 350W
Display	LCD
Color temperature	8000K
Control mode	DMX512/automatic and master/slave mode
Data in/out	3-pin and 5-pin DMX in/out
Colors	1 color wheel with 13 fixed colors + open with rainbow effect
Rotating gobos	1 gobo wheel with 12 gobos + open
Static gobos	1 gobo wheel with 17 gobos + open
Prism Effect	16 and 32 facet rotating prism
Strobe	Variable speed of strobe effect
Dimmer	0~100% linear electronic dimmer
Frost	0~100% frost effects
Zoom angle	0°~7° (Beam mode) 5°~40° (Spot mode)
Pan	540°
Tilt	250°
Pan/Tilt	16 bit
Electronics Focus	0°~40°
Channel	18 Channel
Weight	21kg.
Size	370x300x550mm
Manufacturer	Litelees
Other	Excellent color macro effect



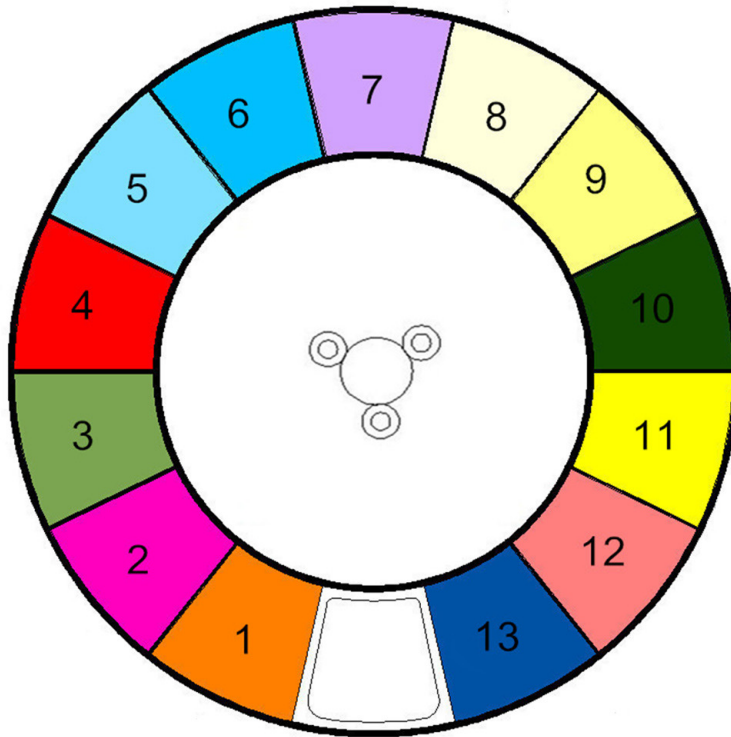
Media Technology & Solutions

Email: [info@sslmediatech.com](mailto:info@sslmediatech.com)

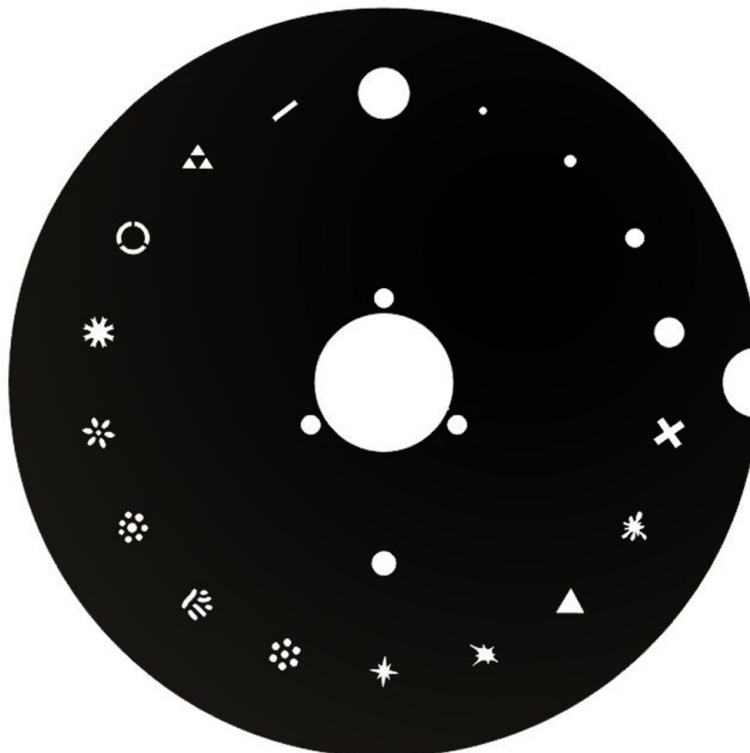
Tel: 022-23811823

Mob: +91- 9820022984

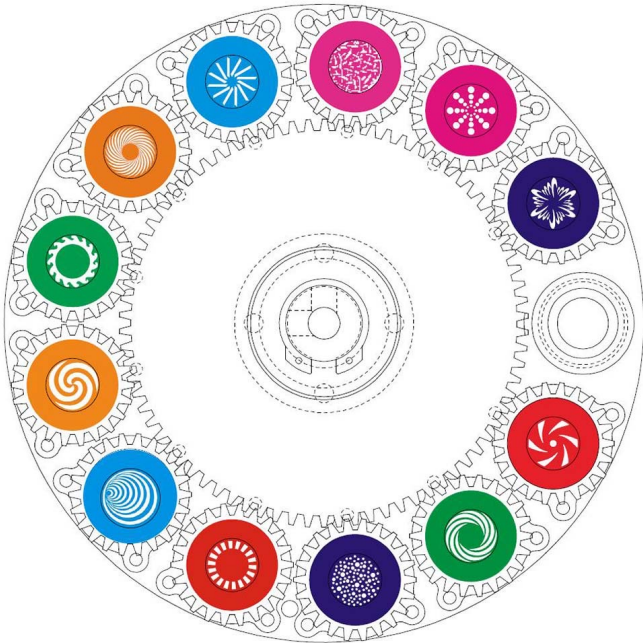
## Color Wheel



## Static Gobo



## Rotating Gobos

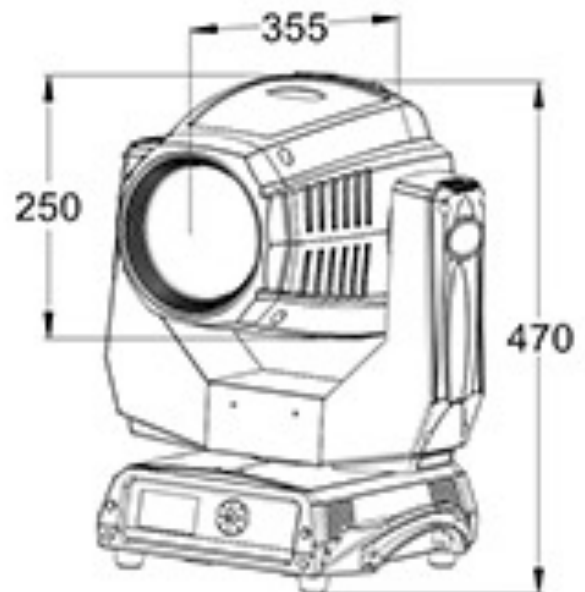
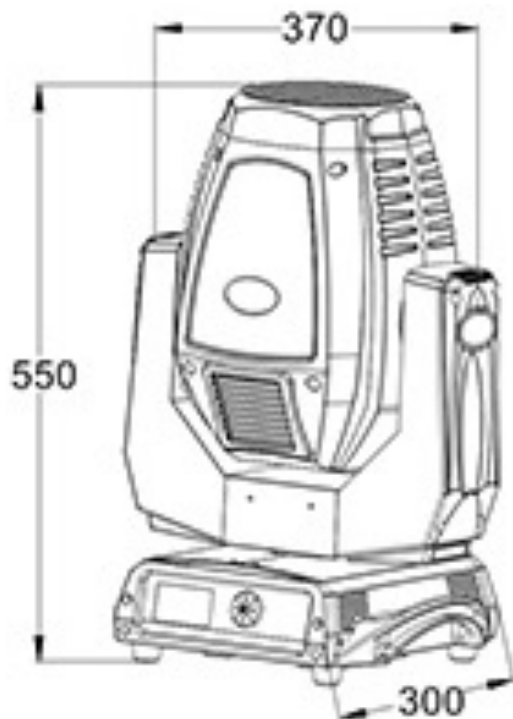


**Rotating Gobo:  $\Phi$ 11.2mm**

**Image:  $\Phi$ 6mm**

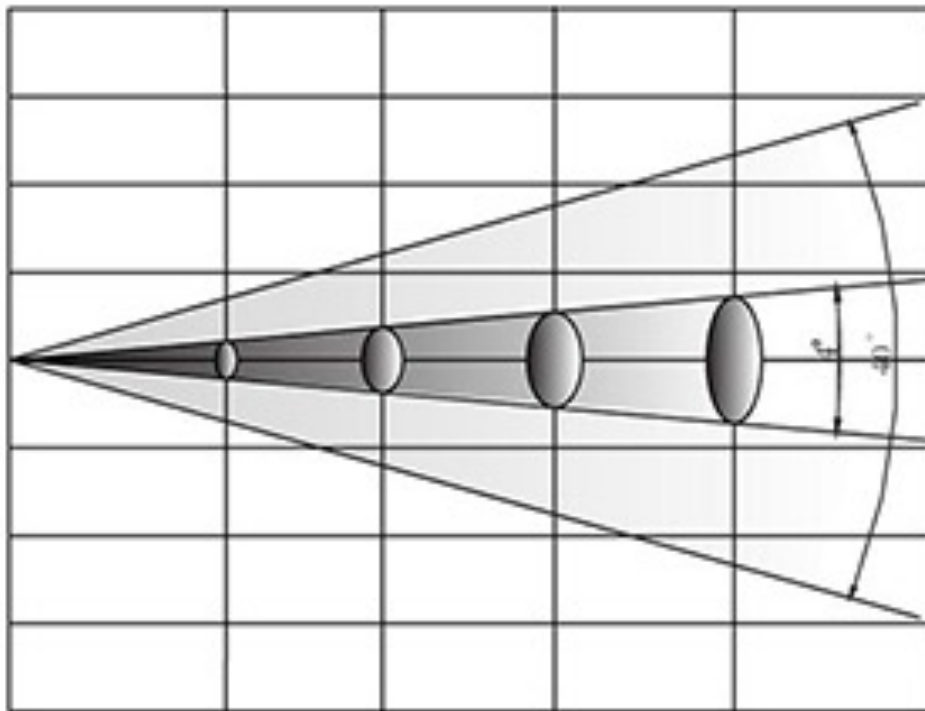
**Thickness:  $\Phi$ 1.1mm**

## Dimensions



# Photometrics

(Lux)				
4°	804000	493968	199200	2112
40°	21948	7658	1962	500



Distance (m)	3	5	10	20
Diameter (m)				
40°	2.0	3.2	6.0	12.0
4°	0.5	0.6	0.8	1.20